

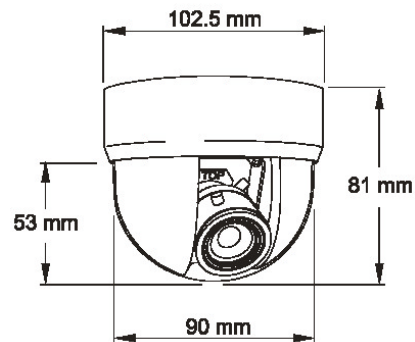
Fixed and fully functional Domes

CDI Services has a popular range of Vari-focal domes present a unique proposition - an overt, yet discreet monitoring solution.

As these domes offer effective surveillance without undue intrusion, they are particularly well suited for installations where aesthetics are a key prerequisite.

However, beauty isn't just skin deep.

With high and standard resolution colour, as well as standard resolution monochrome variants available, you can rest assured that these domes will more than meet performance expectations.



A 480 TV Line High resolution colour camera which provides excellent low light performance from its high speed vari-focal lens. Digital signal processing controls back light compensation, white balance and gain. In flickerless mode this dome compensates for interference from fluorescent light.

One of the unique features of this camera is that the housing can be changed to a Vandal resistant enclosure for exposed environments including corner mounting.



8 Oak Road, Epping, Essex. CM16 5 DJ

Tel: 0845 838 2390 Fax: 0845 838 2391

Web: www.cdiservices.co.uk Email: sales@cdiservices.co.uk

Providing bespoke solutions for the **C**ommercial, **D**omestic and **I**ndustrial market is our speciality.



Breaking away from commonly available domes on the market the new SOLARIS dome offers a level of accuracy, speed and configurability never experienced before. SOLARIS is available for both internal and external use so you can utilise your security system to the full.

Underneath the contemporary styling of the dome's cover is a fully featured camera unit designed to put the operator in full control. Under manual control, pan and tilt speed is proportional to the degree of zoom allowing accurate target acquisition and tracking. A 360°/s top speed permits near instantaneous response to alarms.

Designed with reliability, ease of install and ease of use as priorities, Solaris comes with a range of innovative features.

Power Supply	110-230V AC in External Termination Unit
Switchable day/night	Automatic and Manual
Pan Speed	360 °/s
Tilt Seed	360 °/s
Rotation	360° pan, 180° tilt
Continuous Rotation	Yes
Variable Speed Control	Proportional to level of zoom activated

Environmental	IP66
Tour Facility	4 tours and 1 pattern programmed via the on-screen display
Configuration	Via on-screen display
Pan & Tilt Acquisition time	< 1 second
Sensitivity	0.05 lux (colour) 0.01 lux (mono)
Zoom Range Optical	18X

8 Oak Road, Epping, Essex. CM16 5 DJ
Tel: 0845 838 2390 Fax: 0845 838 2391

Web: www.cdiservices.co.uk Email: sales@cdiservices.co.uk